

## Fig. 62, Type A, B and C

### Pipe Stanchion

**Size Range:** 2" through 18"

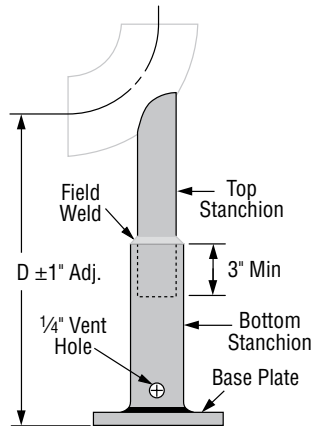
**Material:** Carbon steel

**Finish:** Plain or Galvanized

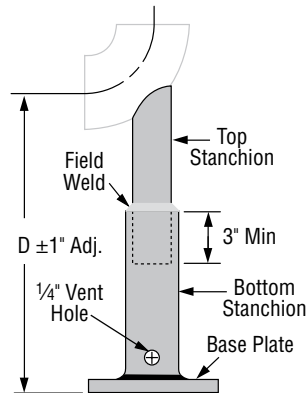
**Service:** Stanchion type of support for stationary pipe where vertical adjustment is required.

**Maximum Temperature:** Plain 650° F, Galvanized 450° F

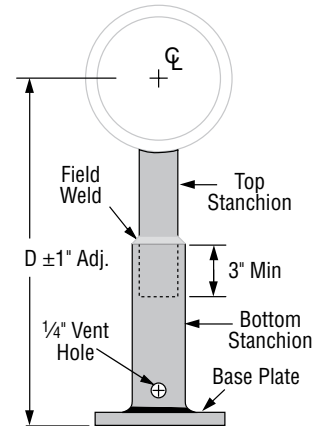
**Ordering:** Specify figure number, type, pipe size, top stanchion size, material specification and "D" dimension. For base plates that require holes, also specify hole size, and the center line to center line of the holes.



**Fig. 62, Type A**  
(L. R. Elbow) with adjustable base



**Fig. 62, Type B**  
(S. R. Elbow) with adjustable base



**Fig. 62, Type C**  
(Horizontal Pipe) with adjustable base

Pipe or Elbow Size (in)	Top Stanchion Size (Standard Weight Pipe)			
	1½	2½	4	5
2	•			
2½	•			
3	•	•		
4	•	•		
5	•	•	•	
6		•	•	•
8			•	•
10			•	•
12				•
14				•
16				•
18				•
<b>Weight (Lbs)</b>	12	28	55	75

- Indicates available stanchion size for pipe or elbow size.
- Weights based on a "D" dimension of 2'-0".

DIMENSIONS (IN)		
Top Stanchion	Bottom Stanchion	Base Plate
1½	2 Std.	¾ x 6 x 6
2½	3 Std.	¾ x 10 x 10
4	5 Sch. 80	¾ x 10 x 10
5	6 Sch. 80	¾ x 10 x 10



**Fig. 62**  
Stanchion with Adjustable Base

## Fig. 63, Type A, B, C, P and T

## Pipe Stanchion

**Material:** Carbon steel

**Finish:** Plain or Galvanized

**Maximum Temperature:** Plain 650° F, Galvanized 450° F

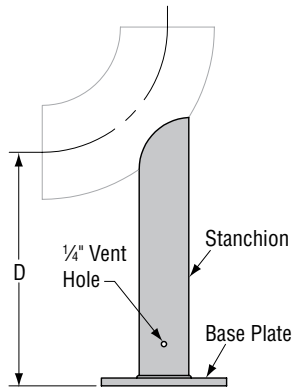
**To Order Specify:**

Type A, B, C: Figure Number, Type, Pipe Size, Stanchion Size, Material Specification and "D" Dimension.

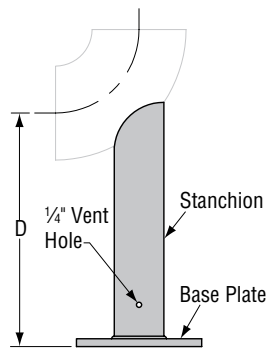
Type P: Figure Number, Type, Saddle Size, Stanchion Size, Material Specification and "H" Dimension.

Type T: Figure Number, Type, Saddle Figure Number and Size, Stanchion Size, Material Specification and "H" Dimension.

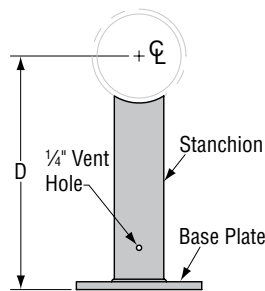
**For base plates that require holes, also specify hole size, and the center line to center line of the holes.**



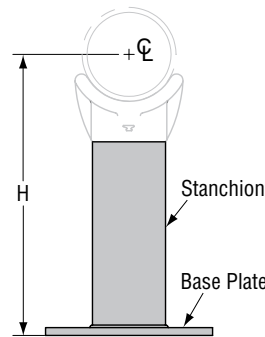
**Fig. 63, Type A**  
(L. R. Elbow)



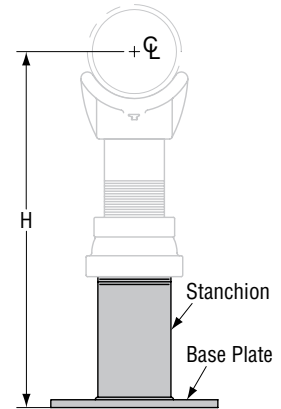
**Fig. 63, Type B**  
(S. R. Elbow)



**Fig. 63, Type C**  
(Horizontal Pipe)



**Fig. 63, Type P**  
Square Cut End for use  
with Figure 258 or 259  
Pipe Saddle Support  
(See pages 114 & 117)



**Fig. 63, Type T**  
Square Cut Threaded End  
for use with Figure 264 or 265  
Adjustable Pipe Saddle Support  
(See pages 115 & 116)

Pipe or Elbow Size (in)	Stanchion Size (Standard Weight Pipe)													
	1½	2	2½	3	4	5	6	8	10	12	14	16	20	24
2½	•	•												
3	•	•	•											
4	•	•	•	•										
5	•	•	•	•	•									
6			•	•	•	•								
8				•	•	•	•							
10					•	•	•	•						
12						•	•	•	•					
14							•	•	•	•				
16								•	•	•	•			
18									•	•	•	•		
20										•	•	•	•	
22											•	•	•	•
24												•	•	•
26													•	•
28														•
30														•
32														•
34														•
36														•
42														•
<b>Weight (Lbs)</b>	9.5	11.6	16.4	23.7	31.8	47.0	59.0	100.0	164.0	201.0	230.0	282.0	374.0	515.0

• Indicates available stanchion size for pipe or elbow size for Types A, B, or C stanchions.

• Weights based on a "D" dimension of 2'-0".

See Figure 258, 259, 264, or 265 dimensional data for required stanchion pipe size (nominal pipe size A).

### DIMENSIONS (IN)

Stanchion Size	Base Plate
1½	¾ x 6 x 6
2	
2½	¾ x 8 x 8
3	
4	
5	¾ x 10 x 10
6	
8	¾ x 14 x 14
10	
12	½ x 18 x 18
14	
16	½ x 22 x 22
20	
24	½ x 30 x 30



**Fig. 63**  
Stanchion

## Fig. 192

### Adjustable Pipe Saddle

**Size Range:** 2" through 12"

**Material:** Carbon steel

**Finish:** Plain or Galvanized

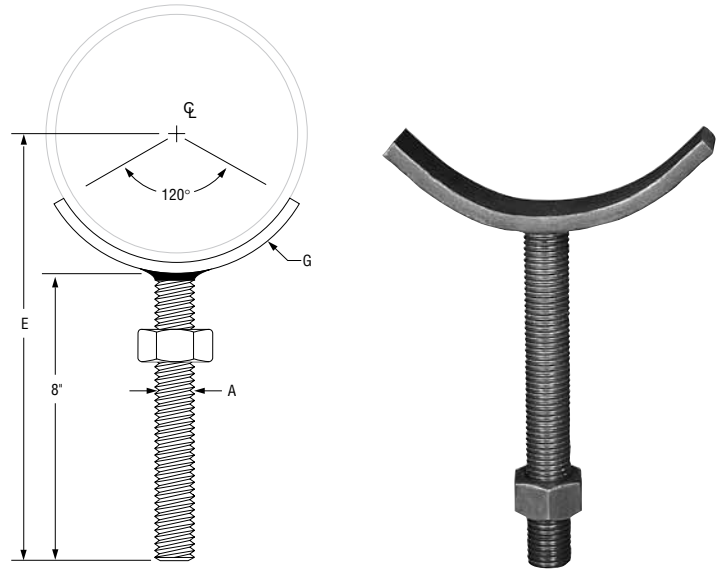
**Service:** Stanchion type support for **stationary** pipe where vertical adjustment is required.

**Approvals:** Complies with Federal Specification A-A-1192A (Type 38), ANSI/MSS SP-69 and MSS SP-58 (Type 38).

**Ordering:** Specify pipe size to be supported, figure number, name and finish.

**FIG. 192: WEIGHTS (LBS) • DIMENSIONS (IN)**

Pipe Size	Rod Size A	E	G	Weight
2	5/8	9 <sup>7</sup> / <sub>16</sub>	1/4 x 1	1.0
2 1/2		9 <sup>1</sup> / <sub>16</sub>		1.4
3		10		1.6
3 1/2		10 <sup>1</sup> / <sub>4</sub>		2.6
4	7/8	10 <sup>1</sup> / <sub>2</sub>	1/4 x 1 1/4	3.0
5		11		3.2
6	1	11 <sup>11</sup> / <sub>16</sub>	3/8 x 1 1/2	4.9
8		12 <sup>11</sup> / <sub>16</sub>		6.2
10	1 1/4	13 <sup>3</sup> / <sub>8</sub>	1/2 x 2	10.5
12		14 <sup>7</sup> / <sub>8</sub>		11.8



## Fig. 191

### Adjustable Pipe Saddle with U-Bolt

**Size Range:** 2" through 12"

**Material:** Carbon steel

**Finish:** Plain or Galvanized

**Service:** Stanchion type support where vertical adjustment is required, plus the additional **stability** provided by U-bolt attachment to **stationary** pipe.

**Approvals:** Complies with Federal Specification A-A-1192A (Type 37), ANSI/MSS SP-69 and MSS SP-58 (Type 37).

**Ordering:** Specify pipe size, figure number, name and finish.

**FIG. 191: WEIGHTS (LBS) • DIMENSIONS (IN)**

Pipe Size	Rod Size A	C	E	G	Weight
2	5/8	2 <sup>11</sup> / <sub>16</sub>	9 <sup>7</sup> / <sub>16</sub>	1/4 x 1	1.2
2 1/2		3 <sup>5</sup> / <sub>16</sub>	9 <sup>1</sup> / <sub>16</sub>		1.4
3		3 <sup>15</sup> / <sub>16</sub>	10		1.6
3 1/2		4 <sup>7</sup> / <sub>16</sub>	10 <sup>1</sup> / <sub>4</sub>		2.6
4	7/8	5 <sup>1</sup> / <sub>4</sub>	10 <sup>1</sup> / <sub>2</sub>	1/4 x 1 1/4	3.0
5		6 <sup>1</sup> / <sub>8</sub>	11		3.2
6	1	7 <sup>1</sup> / <sub>4</sub>	11 <sup>11</sup> / <sub>16</sub>	3/8 x 1 1/2	4.9
8		9 <sup>3</sup> / <sub>8</sub>	12 <sup>11</sup> / <sub>16</sub>		6.2
10	1 1/4	11 <sup>1</sup> / <sub>2</sub>	13 <sup>3</sup> / <sub>8</sub>	1/2 x 2	10.5
12		13 <sup>1</sup> / <sub>2</sub>	14 <sup>7</sup> / <sub>8</sub>		11.8

