

Fig. 71 SD

Double Roll Horizontal Traveler

This product is a special design per customer requirements. Contact Anvil Intl. for further information and how to order.

The Anvil Fig. 71SD horizontal traveler facilitates the supporting of piping systems subject to linear horizontal movements where head room is limited. Designed for use with Anvil Variable Spring Hangers or Constant Supports it can also be used in conjunction with a rigid type hanger assembly.

FIG. 71SD: DIMENSIONS (IN) • LOADS (LBS)						
Size	Maximum Load	A Min	E	H Max	L	W
1	10,700	4 ³ / ₄	5 ⁵ / ₈	1 ³ / ₈	19 ¹ / ₄	3
2	17,800	6	7	1 ³ / ₄	23 ¹ / ₄	5
3	33,200	8	8 ³ / ₈	2 ⁵ / ₈	25 ¹ / ₄	6

Provides 12" Horizontal Travel

Ordering: Specify size number, Figure 71SD, and H = (Refer to constant support size and tables.)

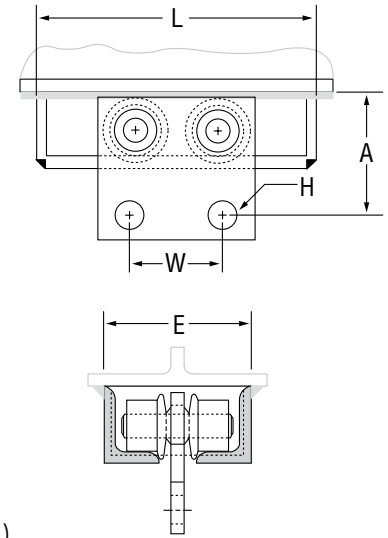


Fig. 72 SD

Dual Direction Horizontal Traveler

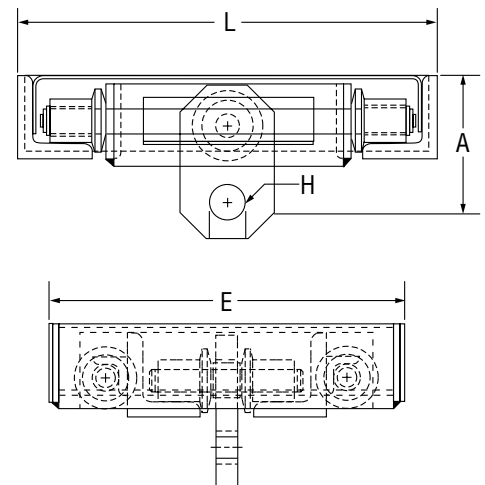
This product is a special design per customer requirements. Contact Anvil International for further information and how to order.

The Anvil Fig. 72SD Horizontal Traveler facilitates the supporting of piping systems subject to dual directional horizontal movements where head room is limited. Designed for use with Anvil Variable Spring Hangers or Constant Supports, it can also be used in conjunction with a rigid type hanger assembly.

FIG. 72SD: DIMENSIONS (IN) • LOADS (LBS)					
Size	Maximum Load	A Min	E	H Max	L
1	5,385	4 ³ / ₈	20 ⁷ / ₈	1 ¹ / ₈	19
2	8,900	6 ³ / ₈	24 ¹ / ₂	1 ³ / ₈	22 ¹ / ₂
3	16,600	8 ⁷ / ₈	26 ⁷ / ₈	1 ³ / ₄	24 ⁷ / ₈
4	29,670	10 ³ / ₄	29 ⁵ / ₈	2 ³ / ₈	27 ¹ / ₈

All sizes provide 12" Horizontal Travel

Ordering: Specify size number, Figure 72SD, and H = (Refer to constant support size and tables.)



PROJECT INFORMATION		APPROVAL STAMP
Project:		<input type="checkbox"/> Approved
Address:		<input type="checkbox"/> Approved as noted
Contractor:		<input type="checkbox"/> Not approved
Engineer:		Remarks:
Submittal Date:		
Notes 1:		
Notes 2:		