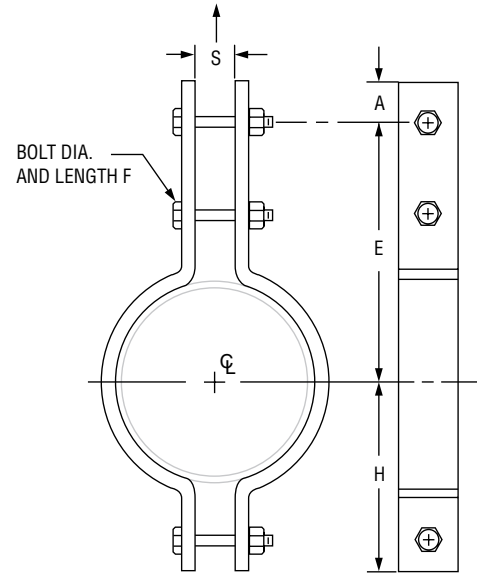


## Fig. 41 SD

## Non-Standard Three Bolt Pipe Clamp

**Ordering:**

Specify Fig. 41SD double bolt pipe clamp, material specification, pipe size, load, operating temperature, insulation thickness and finish.  
 Alloy clamps, unless otherwise specified, will be furnished with alloy studs made from ASTM A 193-B7 stud stock and ASTM A 194-Gr. 2H hex nuts.



PROJECT INFORMATION		APPROVAL STAMP	
Project:		<input type="checkbox"/> Approved	
Address:		<input type="checkbox"/> Approved as noted	
Contractor:		<input type="checkbox"/> Not approved	
Engineer:		Remarks:	
Submittal Date:			
Notes 1:			
Notes 2:			